

# MAGVIA



## Die-Cast Aluminium Streetlight



**60W**

9,736  
lumens

**80W**

12,476  
lumens

**100W**

15,039  
lumens

**115W**

17,579  
lumens

## Hello **Reliability!**

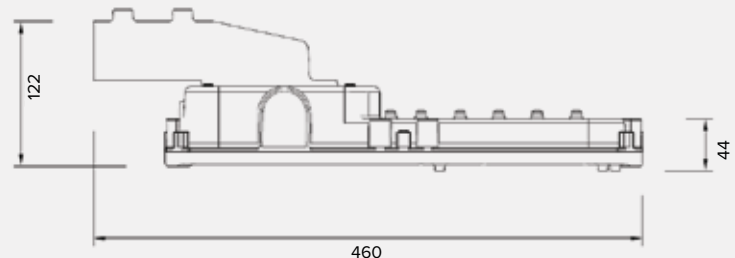
The MAGVIA combines high reliability with excellent photometric performance, making it a strong choice for residential and urban streetlighting applications. Its robust, slimline design reduces wind resistance and simplifies installation, while the smooth surface profile minimises dirt and debris build-up — ensuring long-term efficiency with minimal maintenance.



## Fit-For-Purpose:

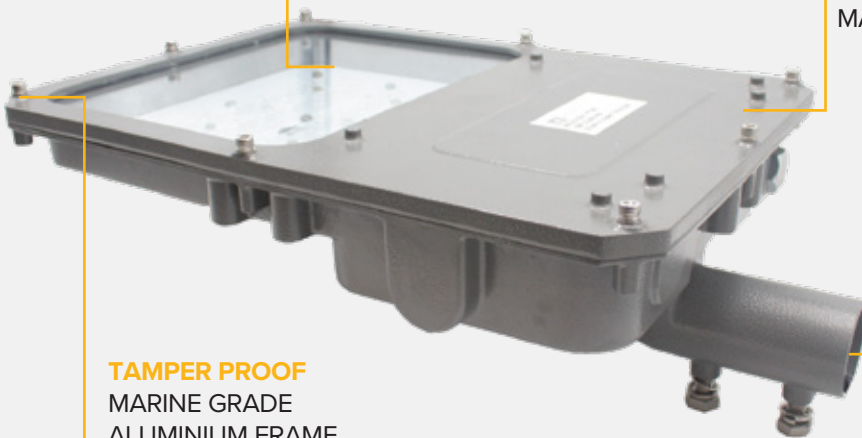
- Street lighting – Class A & B Roadways
- Outdoor Lighting
- Security Lighting
- Town & City Centres
- Parking Areas
- General Amenity

Description	Length (L)	Width (W)	Height (H)
MAGVIA	460mm	285mm	122mm



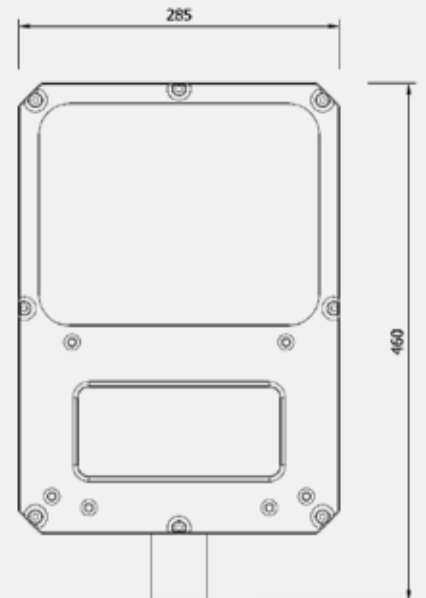
**INCREDIBLE**  
LED PERFORMANCE

**EASE OF**  
MAINTENANCE

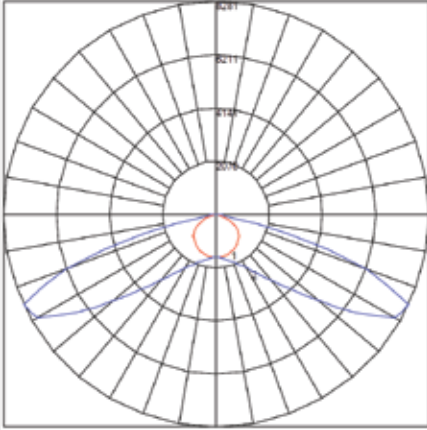


**TAMPER PROOF**  
MARINE GRADE  
ALUMINIUM FRAME

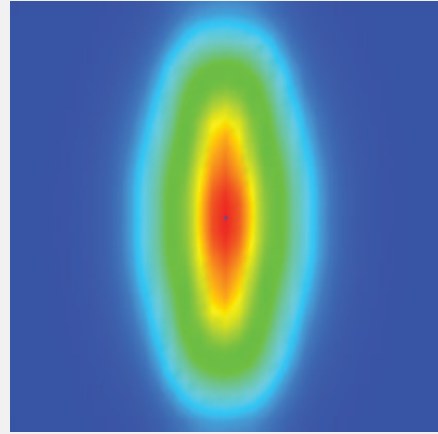
**EASY INSTALLATION**  
SIDE / BOTTOM ENTRY



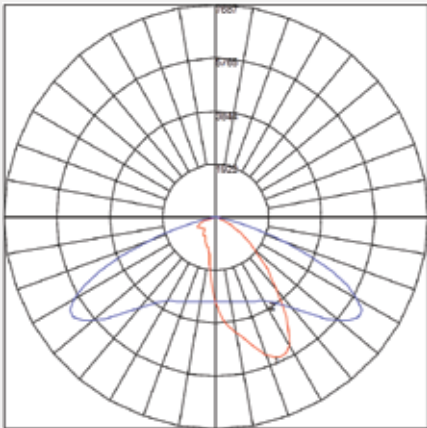
IES ROAD REPORT  
PHOTOMETRIC FILENAME : MAGVIA T1 OPTICS.IES  
POLAR GRAPH



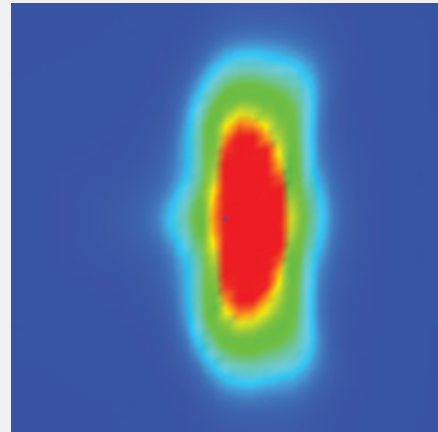
Maximum Candela = 8281214 Located At Horizontal Angle = 270, Vertical Angle = 65  
#1 - Vertical Plane Through Horizontal Angles (0-180)  
#2 - Vertical Plane Through Horizontal Angles (90-270)



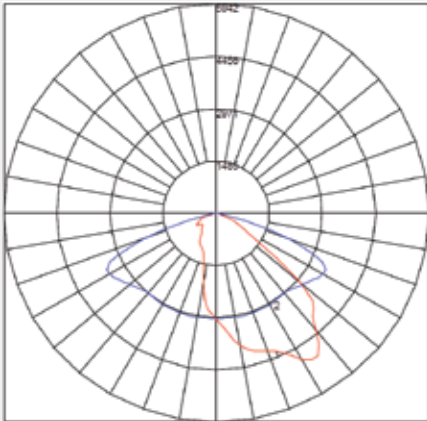
IES ROAD REPORT  
PHOTOMETRIC FILENAME : MAGVIA T2 OPTICS.IES  
POLAR GRAPH



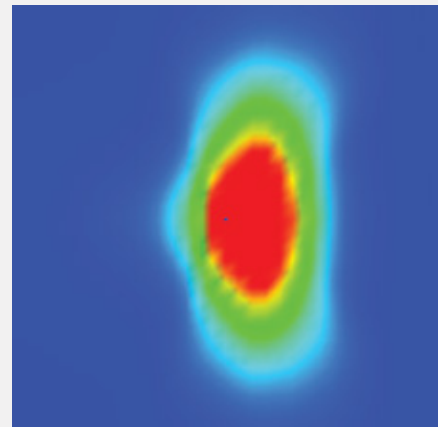
Maximum Candela = 7687185 Located At Horizontal Angle = 277.5, Vertical Angle = 55  
#1 - Vertical Plane Through Horizontal Angles (0-180)  
#2 - Vertical Plane Through Horizontal Angles (90-270)



IES ROAD REPORT  
PHOTOMETRIC FILENAME : MAGVIA ME OPTICS.IES  
POLAR GRAPH



Maximum Candela = 5941734 Located At Horizontal Angle = 292.5, Vertical Angle = 55  
#1 - Vertical Plane Through Horizontal Angles (0-180)  
#2 - Vertical Plane Through Horizontal Angles (90-270)





FEATURE	MLEDV060	MLEDV080	MLEDV100	MLEDV115
NOMINAL POWER	60W	80W	100W	115W
LUMINOUS FLUX (LM)	UP TO 9,736	UP TO 12,476	UP TO 15,039	UP TO 17,579
LUMINOUS EFFECIENCY (LM/W)	UP TO 161	UP TO 156	UP TO 152	UP TO 145
NUMBER OF LEDS	24	24	24	24
COLOUR TEMPERATURE	4000K (STANDARD)   2200K / 3000K / 5000K / 6500K (OPTIONAL)			
LED LIFETIME (HOURS) @ Ta 25 °C	L90B10 > 100 000 HRS			
CRI	>70			
DIFFUSER	GLASS - IK08 (STANDARD)   POLYCARBONATE - IK09/10 (OPTIONAL)			
NOMINAL INPUT VOLTAGE	220V-240V (STANDARD)   90V-305V (OPTIONAL)			
OPERATING TEMPERATURE (Ta)	-40°C to 55°C			
SURGE PROTECTION	10kV (STANDARD)   20kV (OPTIONAL)			
IP RATING	IP66			
GROSS WEIGHT	4.9KG			

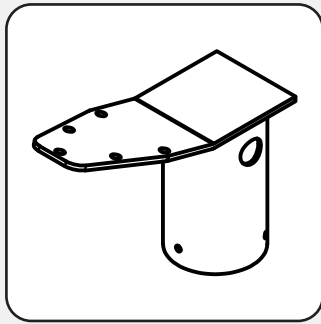
\* Values shown are AFTER both Thermal and Optical losses. Output will vary depending on optics utilised. Performance values are subject to ±5% variance.

## Product Code Logic

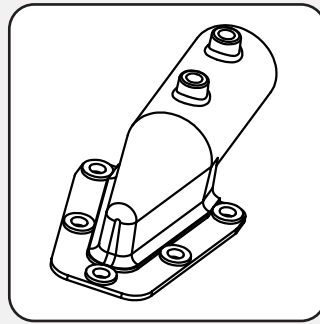
MLED	-	M	XXX	-	X	X	X	-	X	X
FAMILY NAME			WATTAGE		CT	OPTICS	MOUNTING		OPERATING MODE	ZONE RATING
			040 = 40W		2 = 2200K	0 = No Optics	3 = Spigot fitted 42 Diameter		0 = Standard	0 = Standard
			060 = 60W		3 = 3000K	1 = T1				2 = Zone 2
			080 = 80W		4 = 4000K	2 = ME				3 = Zone 21/22
			100 = 100W		5 = 5000K	3 = FT				
			115 = 115W		6 = 6500K	4 = T2				
						5 = T4				
						6 = ME Wide				

Due to continuing R&D, the above data may change without prior notice. Please consult us for the latest available options. Warranties subject to our standard terms and conditions of sale.

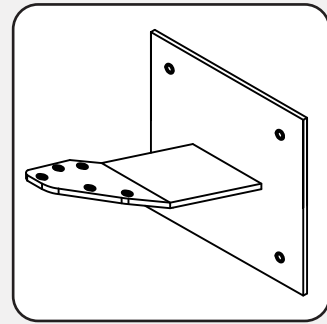
# Accessories



76mm OD  
Pole Mount



42mm OD  
Pole Mount



Wall Mount

# Related Products



iLangaLED Maxi



iLangaLED



MAGVIA Mini



+27 11 614 4327



[lighting@ilangalighting.co.za](mailto:lighting@ilangalighting.co.za)



[www.ilangalighting.co.za](http://www.ilangalighting.co.za)



24 Julbert Road, Benrose,  
Johannesburg, 2094



ilanga  
LIGHTING

A LIGHTING SOLUTION FOR **EVERY** APPLICATION!

ILANGA LIGHTING DISTRIBUTION COMPANY (PTY) LTD - REG 2003/030689/07

**B-BBEE**  
LEVEL **2**  
CONTRIBUTOR

**SABS**  
ISO 9001