

MAGIS



Marine-Grade Aluminium Floodlight



60W

9,736
lumens

80W

12,476
lumens

100W

15,039
lumens

115W

17,579
lumens

Reliability & Performance!

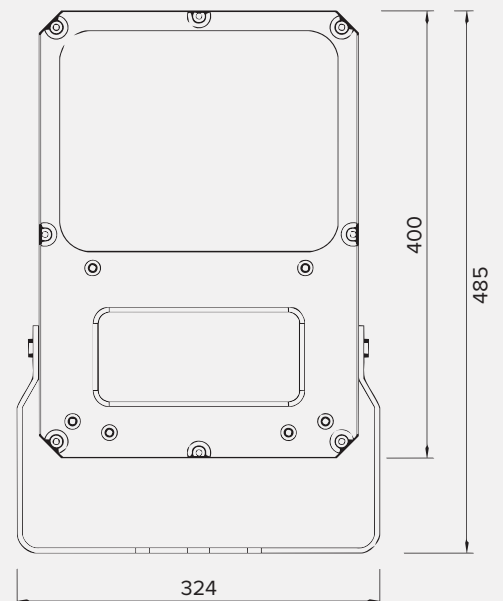
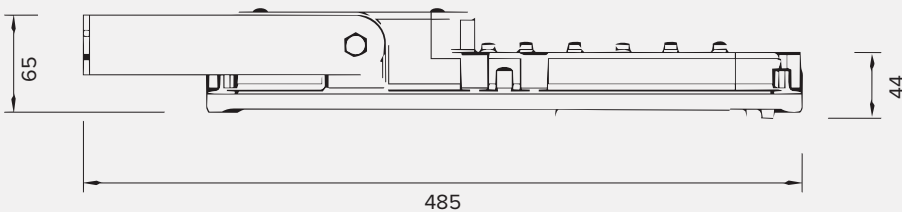
The MAGIS delivers exceptional reliability and superb photometric performance, engineered for demanding industrial environments. Its slim, robust design minimises dirt and dust build-up, making it ideal for long-term use in both general industrial settings and hazardous areas (Zone 2 & 21/22).



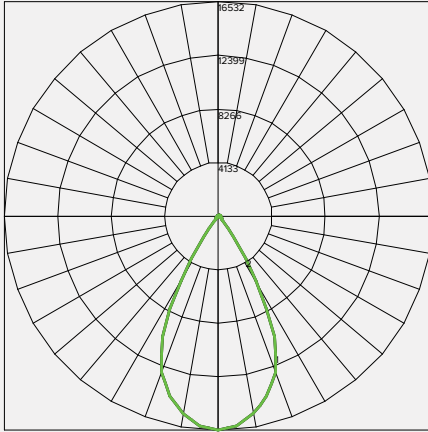
Fit-For-Purpose:

- Industrial Lighting
- Outdoor Lighting
- Security Lighting
- Emergency Lighting
- Dusty & Dirty Environments
- Zone 2 & 21/22
(Zone 2: Max 80w
Zone 21/22: Max 115w)

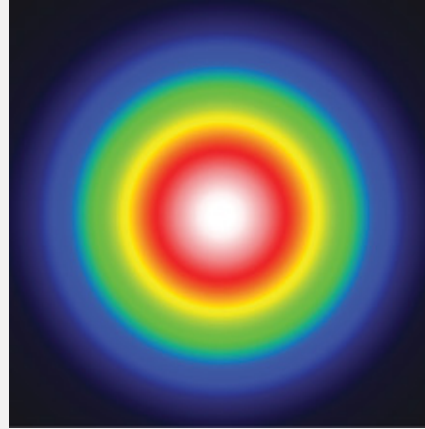
Description	Length (L)	Width (W)	Height (H)
MAGIS	485mm	324mm	65mm



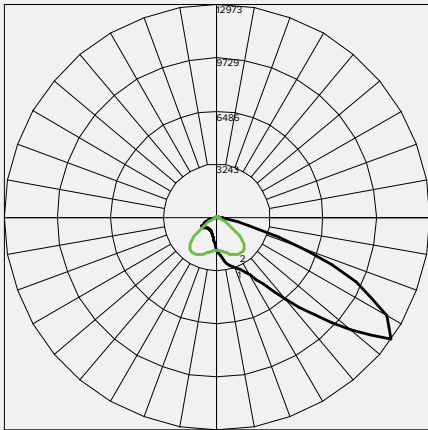
IES ROAD REPORT
PHOTOMETRIC FILENAME : MAGIS 80W HE T60.IES
POLAR GRAPH



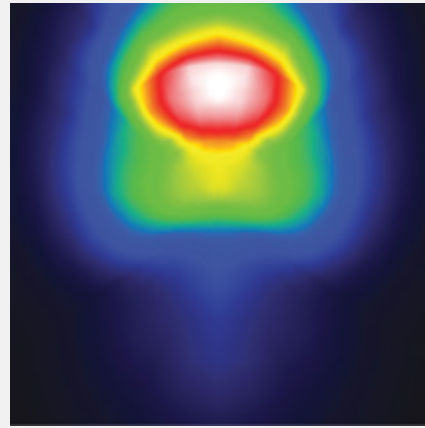
Maximum Candela = 16532.23 Located At Horizontal Angle = 360, Vertical Angle = 0
1 - Vertical Plane Through Horizontal Angles (0 - 180)
2 - Vertical Plane Through Horizontal Angles (90 - 270)



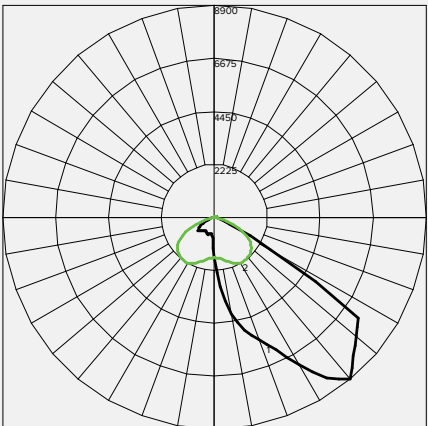
IES ROAD REPORT
PHOTOMETRIC FILENAME : MAGIS 80W HE 64G.IES
POLAR GRAPH



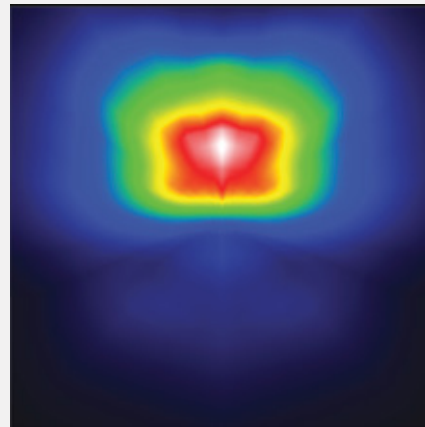
Maximum Candela = 12972.65 Located At Horizontal Angle = 360, Vertical Angle = 55
1 - Vertical Plane Through Horizontal Angles (0 - 180)
2 - Vertical Plane Through Horizontal Angles (90 - 270)



IES ROAD REPORT
PHOTOMETRIC FILENAME : MAGIS 80W HE 12060G.IES
POLAR GRAPH



Maximum Candela = 8899.548 Located At Horizontal Angle = 360, Vertical Angle = 40
1 - Vertical Plane Through Horizontal Angles (0 - 180)
2 - Vertical Plane Through Horizontal Angles (90 - 270)



*Other photometric distributions available on request

FEATURE	MLED060	MLED080	MLED100	MLED115
NOMINAL POWER	60W	80W	100W	115W
LUMINOUS FLUX (LM)	UP TO 9,736	UP TO 12,476	UP TO 15,039	UP TO 17,579
LUMINOUS EFFECIENCY (LM/W)	UP TO 161	UP TO 156	UP TO 152	UP TO 145
NUMBER OF LEDS	24	24	24	24
COLOUR TEMPERATURE	4000K (STANDARD) 2200K / 3000K / 5000K / 6500K (OPTIONAL)			
LED LIFETIME (HOURS) @ Ta 25 °C	L90B10 > 100 000 HRS			
CRI	>70			
DIFFUSER	GLASS - IK08 (STANDARD) POLYCARBONATE - IK09/10 (OPTIONAL)			
NOMINAL INPUT VOLTAGE	220V-240V (STANDARD) 90V-305V (OPTIONAL)			
OPERATING TEMPERATURE (Ta)	-40°C to 55°C			
SURGE PROTECTION	10kV (STANDARD) 20kV (OPTIONAL)			
IP RATING	IP66			
GROSS WEIGHT	5KG			

* Values shown are AFTER both Thermal and Optical losses. Output will vary depending on optics utilised. Performance values are subject to ±5% variance.

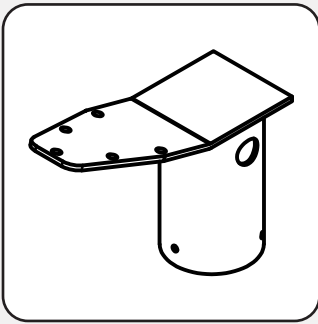
Emergency Options

FEATURE	MLED060	MLED080	MLED100	MLED115
OUTPUT POWER	5W (STANDARD) 20W / 40W (OPTIONAL)			
EMERGENCY DURATION	>1 HR (Max Ta 40°C)			

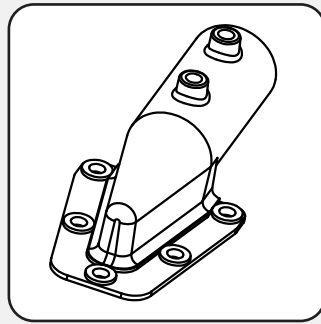
Product Code Logic

MLED	-	XXX	-	X	X	X	-	X	X
FAMILY NAME		WATTAGE		CT	OPTICS	MOUNTING		OPERATING MODE	ZONE RATING
		060 = 60W		2 = 2200K	0 = No Optics	2 = Floodlight Bracket (HDG)		0 = Standard	0 = Standard
		080 = 80W		3 = 3000K	2 = ME	8 = Floodlight Bracket (304 S/S)		E = Emergency Maintained	2 = Zone 2
		100 = 100W		4 = 4000K	3 = FT	9 = Floodlight Bracket (316 S/S)		N = Emergency Non-Maintained	3 = Zone 21/22
		115 = 115W		5 = 5000K	5 = T4				
				6 = 6500K	6 = ME WIDE				

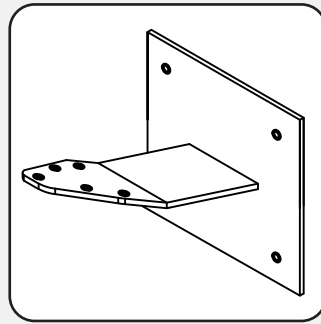
Accessories



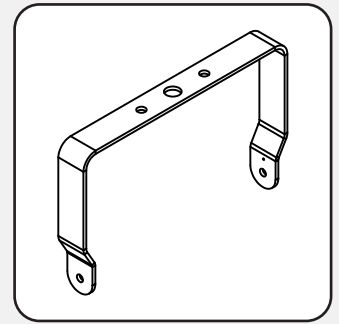
76mm OD
Pole Mount



42mm OD
Pole Mount



Wall Mount



Floodlight
Bracket

Related Products



MAGIS MINI



MAGFLOOD



SPECTRALED
GEN II



+27 11 614 4327



lighting@ilangalighting.co.za



www.ilangalighting.co.za



24 Julbert Road, Benrose,
Johannesburg, 2094



ilanga
LIGHTING

A LIGHTING SOLUTION FOR **EVERY** APPLICATION!

ILANGA LIGHTING DISTRIBUTION COMPANY (PTY) LTD - REG 2003/030689/07

B-BBEE
LEVEL **2**
CONTRIBUTOR

SABS
ISO 9001