

ZOD104-E27-BL

Coastal-Grade Corrosion-Proof Bulkhead

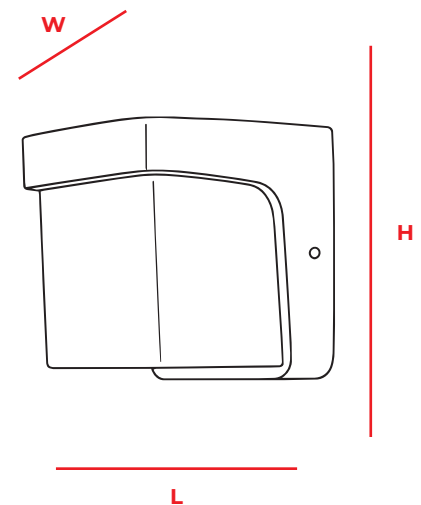
 **5 YEAR**
Warranty



The ZOD104-E27-BL is a durable UV-treated square bulkhead light, designed for longevity in highly corrosive environments.

Its ABS & polycarbonate housing ensures both strength and weather resistance. With an opal diffuser and E27 lamp compatibility, it's a reliable choice for low-maintenance lighting in outdoor settings.

Ideal for coastal and industrial sites where environmental exposure is high, this bulkhead offers IP65 protection and a sleek, square aesthetic that fits seamlessly onto any façade.



Product Code	ZOD104-E27-BL
Lamp	1x E27 (Not Included)
Class	II
Power Factor (PF)	0,9
Diffuser	Polycarbonate
Body	ABS
Mounting	Wall Mount
Colour	Black
IP Rating	IP65
Product Size (L) x (W) x (H)	170mm x 140mm x 170mm
Product Weight	0,71kg