

# SPECTRALED PHOTON



## Single-Head LED Floodlight Range



**200W** | **300W** | **400W** | **500W**

34,000  
lumens

49,500  
lumens

68,000  
lumens

85,000  
lumens

**600W** | **1000W** | **1500W** | **1800W**

99,000  
lumens

160,000  
lumens

270,000  
lumens

288,000  
lumens

**Ultimate Performance!**

The SpectraLED Photon range is an advanced lighting solution designed for professional stadium and high mast applications. Engineered with precision optics, it offers narrow and asymmetric beam angles, making it ideal for sports venues, airport aprons, harbours, wharfs, and other large-scale outdoor environments.

Its lightweight, parallel fin technology enhances heat dissipation while reducing structural load—outperforming the majority of competitors in the sports and high mast lighting segment.

Designed for quick installation and reduced labour costs, it features versatile mounting options to accommodate a wide range of configurations.



**Fit-For-Purpose:**

- Sport Fields
- Outdoor Lighting
- Security Lighting
- High Mast Lighting
- Airport Lighting
- Construction Sites
- Harbour Lighting

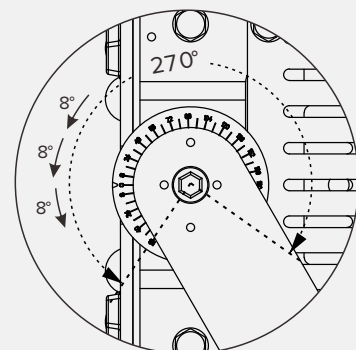
**EASY INSTALLATION**  
BRACKET

**ROTATABLE**  
MODULE

**PROFESSIONAL**  
OPTICS

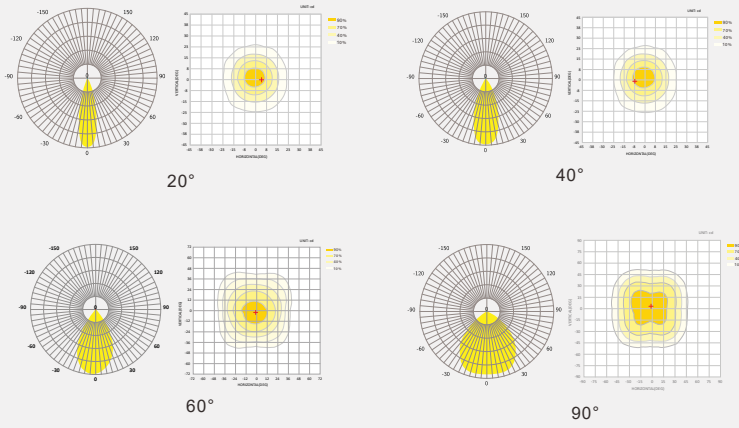


**PARALLEL FIN**  
TECHNOLOGY

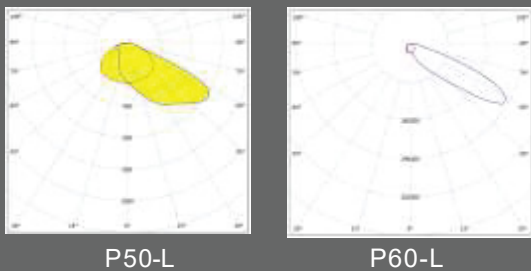


**Rotatable 270°**

## Symmetrical

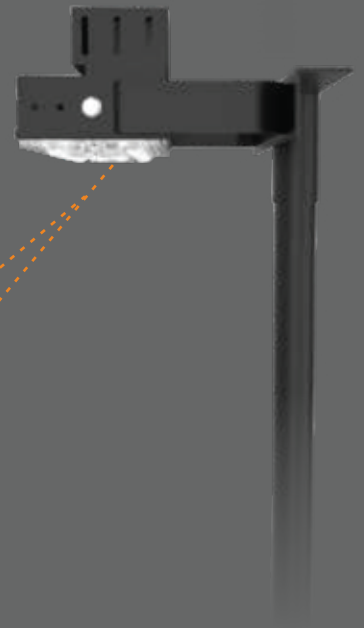


## Asymmetrical



60°  
(P60-L)

50°  
(P50-L)





FEATURE	FLEDU0200	FLEDU0300	FLEDU0400	FLEDU0500	FLEDU0600	FLEDU1000	FLEDU1500	FLEDU1800
NOMINAL POWER	200 Watts	300 Watts	400 Watts	500 Watts	600 Watts	1000 Watts	1500 Watts	1800 Watts
LUMINOUS FLUX (LM)	UP TO 34,000	UP TO 49,500	UP TO 68,000	UP TO 85,000	UP TO 99,000	UP TO 160,000	UP TO 270,000	UP TO 288,000
LUMINOUS EFFECIENCY (LM/W)	UP TO 170	UP TO 165	UP TO 170	UP TO 170	UP TO 165	UP TO 160	UP TO 170	UP TO 160
COLOUR TEMPERATURE	5000K (STANDARD)   2200K / 3000K / 4000K / 5700K (OPTIONAL)							
LED LIFETIME (HOURS) @ TA 25 °C	L90B10 > 100 000 HRS							
CRI	>70							
DIFFUSER	POLYCARBONATE - IK10							
NOMINAL INPUT VOLTAGE	100V - 277V							
OPERATING TEMPERATURE	-40°C to 55°C							
SURGE PROTECTION	10kV (STANDARD) 20kV (OPTIONAL)							
IP RATING	IP66							
WEIGHT (KG)	3.9 KG	5.9 KG	5.9 KG	11.8 KG	11.5 KG	17.2 KG	30 KG	30 KG
UNIT DIMENSIONS L x W x H (MM)	385 x 161.4 x 231	391.7 x 167.3 x 308.7	391.7 x 167.3 x 308.7	500.7 x 196.3 x 369.3	500.7 x 196.3 x 369.3	599x 329.6 x 400.9	635.7 x 593.4 x 416.7	635.7 x 593.4 x 416.7
BEAM ANGLE	(● - Standard   ○ - Optional   X - Not Available)							
SYMMETRICAL 20°	○	○	○	○	○	○	●	●
SYMMETRICAL 40°	○	○	○	○	○	○	○	○
SYMMETRICAL 60°	●	●	●	●	●	●	X	X
SYMMETRICAL 90°	○	X	X	○	○	X	X	X
ASYMMETRICAL P50-L	○	○	○	○	○	X	X	X
ASYMMETRICAL P60-L	X	X	X	X	X	○	○	X

\* Values shown are AFTER both Thermal and Optical losses. Output will vary depending on optics utilised. Performance values are subject to ±5% variance.

## Product Code Logic

FLEDU	-	XXXX	-	X	X	X
FAMILY NAME		WATTAGE		CT	OPTICS	MOUNTING
		0200 = 200W		3 = 3000K	1 = 20°	1 = Standard HDG Trunnion Arm
		0300 = 300W		4 = 4000K	2 = 40°	2 = Stainless Steel Trunnion Arm
		0400 = 400W		5 = 5000K	3 = 60°	
		0500 = 500W		6 = 5700K	4 = 90°	
		0600 = 600W			5 = P50-L	
		1000 = 1000W			6 = P60-L	
		1500 = 1500W				
		1800 = 1800W				

## Related Products



Solar High Mast



MagFlood



SpectraLED  
Gen II



+27 11 614 4327



[lighting@ilangalighting.co.za](mailto:lighting@ilangalighting.co.za)



[www.ilangalighting.co.za](http://www.ilangalighting.co.za)



24 Julbert Road, Benrose,  
Johannesburg, 2094

A LIGHTING SOLUTION FOR **EVERY** APPLICATION!

ILANGA LIGHTING DISTRIBUTION COMPANY (PTY) LTD - REG 2003/030689/07

**B-BBEE**  
LEVEL **2**  
CONTRIBUTOR

**SABS**  
ISO 9001