

ZOD107-G10-BL

Coastal-Ready Up & Down Light

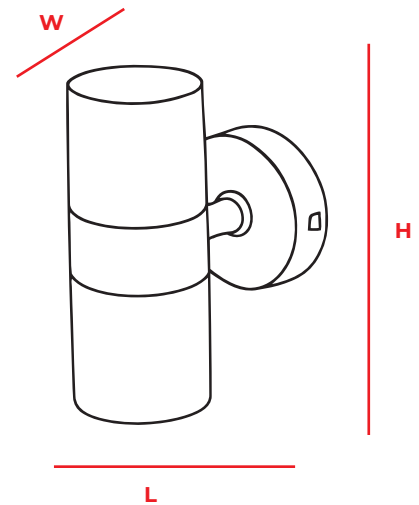
 **5 YEAR**
Warranty



The ZOD107-G10-BL is a cylindrical up and down wall light designed for durability in coastal environments.

Built with ABS housing and a polycarbonate diffuser, it delivers dependable performance with clean aesthetics for both residential and commercial exteriors.

Ideal for modern facades, entrance lighting, or architectural highlights, it takes 2 x GU10 LED lamps and offers reliable IP44 protection against dust and splashing water.



| | |
|------------------------------|------------------------|
| Product Code | ZOD107-G10-BL |
| Lamp | 2x GU10 (not Included) |
| Class | II |
| Power Factor (PF) | 0,9 |
| Diffuser | Polycarbonate |
| Body | ABS |
| Mounting | Wall Mount |
| Colour | Black |
| IP Rating | IP44 |
| Product Size (L) x (W) x (H) | 87mm x 60mm x 158mm |
| Product Weight | 0,35kg |