

MAGVIA MINI



Die-Cast Aluminium Streetlight



20W

3,275
lumens

30W

4,728
lumens

40W

5,936
lumens

50W

7,374
lumens

Hello Performance!

A compact and reliable LED streetlight ideal for residential and urban applications. Its slim, robust design reduces wind load and installation costs, while the smooth profile minimises dirt and debris build-up. With excellent photometric performance, the MAGVIA MINI delivers long-term efficiency and clean aesthetics for public environments.

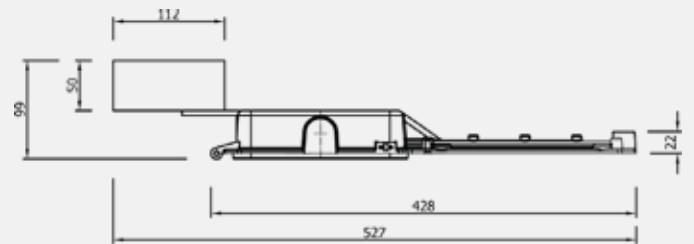


Fit-For-Purpose:

- Street lighting – Class A & B Roadways
- Outdoor Lighting
- Security Lighting
- Town & City Centres
- Parking Areas
- General Amenity



Description	Length (L)	Width (W)	Height (H)
MAGVIA MINI	528mm	196mm	99mm

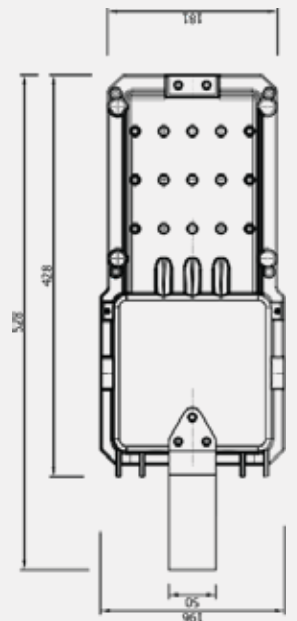


INCREDIBLE
LED PERFORMANCE

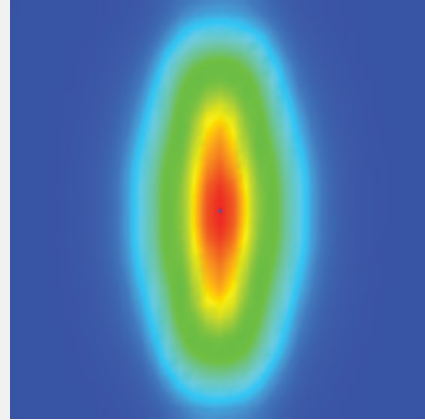
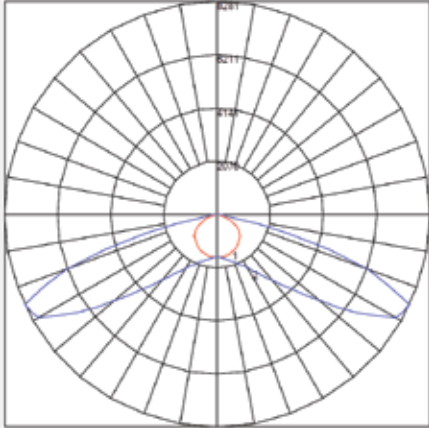
EASE OF
MAINTENANCE

TAMPER PROOF
MARINE GRADE
ALUMINIUM FRAME

EASY INSTALLATION
SIDE / BOTTOM ENTRY

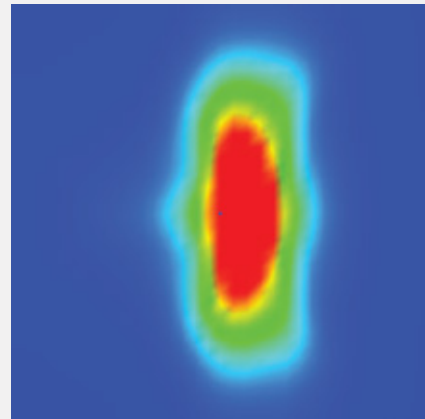
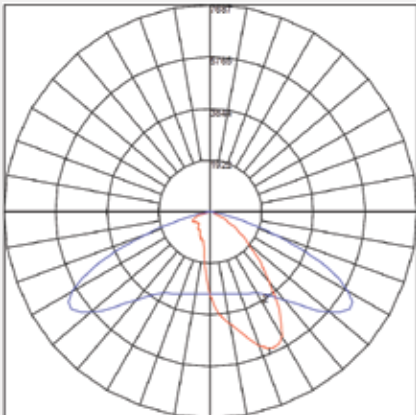


IES ROAD REPORT
PHOTOMETRIC FILENAME : MAGVIA MINI T1 OPTICS.IES
POLAR GRAPH



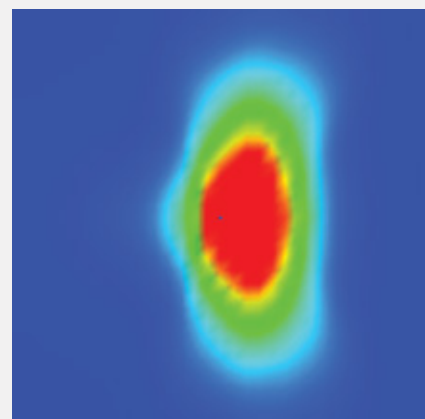
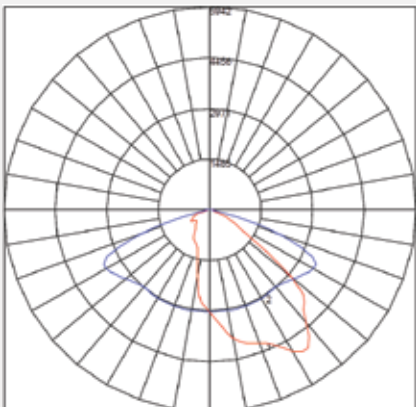
Maximum Candela = 8281.214 Located At Horizontal Angle = 270, Vertical Angle = 65
#1 - Vertical Plane Through Horizontal Angles (0-180)
#2 - Vertical Plane Through Horizontal Angles (90-270)

IES ROAD REPORT
PHOTOMETRIC FILENAME : MAGVIA MINI T2 OPTICS.IES
POLAR GRAPH



Maximum Candela = 7687.185 Located At Horizontal Angle = 277.5, Vertical Angle = 55
#1 - Vertical Plane Through Horizontal Angles (0-180)
#2 - Vertical Plane Through Horizontal Angles (90-270)

IES ROAD REPORT
PHOTOMETRIC FILENAME : MAGVIA MINI ME OPTICS.IES
POLAR GRAPH



Maximum Candela = 5941.734 Located At Horizontal Angle = 292.5, Vertical Angle = 55
#1 - Vertical Plane Through Horizontal Angles (0-180)
#2 - Vertical Plane Through Horizontal Angles (90-270)

*Other photometric distributions available on request



FEATURE	MLEDM020	MLEDM030	MLEDM040	MLEDM050
NOMINAL POWER	20W	30W	40W	50W
LUMINOUS FLUX (LM)	UP TO 3,275	UP TO 4,728	UP TO 5,936	UP TO 7,374
LUMINOUS EFFECIENCY (LM/W)	UP TO 157	UP TO 153	UP TO 144	UP TO 129
COLOUR TEMPERATURE	4000K (STANDARD) 2200K / 3000K / 5000K / 6500K (OPTIONAL)			
LED LIFETIME (HOURS) @ TA 25 °C	L90B10 > 100 000 HRS			
CRI	>70			
DIFFUSER	GLASS - IK08 (STANDARD) POLYCARBONATE - IK09/10 (OPTIONAL)			
NOMINAL INPUT VOLTAGE	220V-240V (STANDARD) 90V-305V (OPTIONAL)			
OPERATING TEMPERATURE (Ta)	-20°C to 60°C			
SURGE PROTECTION	10kV (Standard) 20kV (Optional)			
IP RATING	IP66			
GROSS WEIGHT	3.2KG			

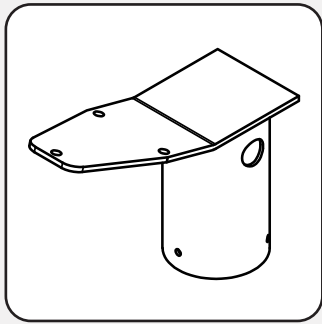
* Values shown are AFTER both Thermal and Optical losses. Output will vary depending on optics utilised. Performance values are subject to ±5% variance.

Product Code Logic

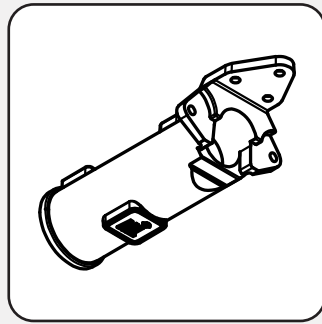
MLEDM	-	M	XXX	-	X	X	X	-	X	X
FAMILY NAME			WATTAGE		CT	OPTICS	MOUNTING		OPERATING MODE	ZONE RATING
			020 = 20W		2 = 2200K	0 = No Optics	3 = Spigot fitted 42 Diameter		0 = Standard	0 = Standard
			030 = 30W		3 = 3000K	1 = T1				2 = Zone 2
			040 = 40W		4 = 4000K	2 = ME				3 = Zone 20/21
			050 = 50W		5 = 5000K	3 = FT				
					6 = 6500K	4 = T2				
						5 = T4				
						6 = ME Wide				

Due to continuing R&D, the above data may change without prior notice. Please consult us for the latest available options. Warranties subject to our standard terms and conditions of sale.

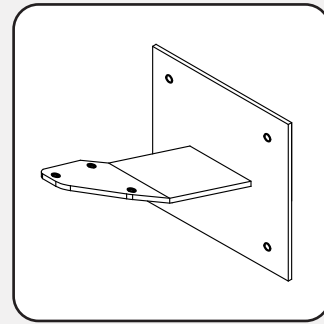
Accessories



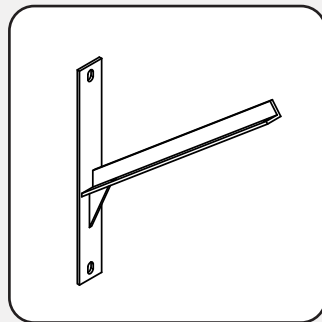
88mm OD
Pole Mount



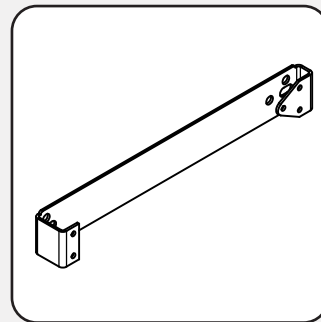
42mm OD
Spigot



Wall Mount



Wall Mount



Support
Bracket



+27 11 614 4327



lighting@ilangalighting.co.za



www.ilangalighting.co.za



24 Julbert Road, Benrose,
Johannesburg, 2094



ilanga
LIGHTING

A LIGHTING SOLUTION FOR **EVERY** APPLICATION!

ILANGA LIGHTING DISTRIBUTION COMPANY (PTY) LTD - REG 2003/030689/07

B-BBEE
LEVEL **2**
CONTRIBUTOR

SABS
ISO 9001