

SPECTRALED GEN II



LED Floodlight



100W	200W	300W	400W
16,000 lumens	35,000 lumens	52,500 lumens	70,000 lumens

600W	1000W	1200W	1440W
105,000 lumens	170,000 lumens	204,000 lumens	244,800 lumens

Hello Performance!

The SpectraLED Gen II is an advanced lighting solution designed for professional stadium and high mast applications. Engineered with precision optics, it offers narrow and asymmetric beam angles, making it ideal for sports venues, airport aprons, harbours, wharfs, and other large-scale outdoor environments.

Its lightweight, folding aluminium fin design enhances heat dissipation while reducing structural load—outperforming the majority of competitors in the sports and high mast lighting segment.

Designed for quick installation and reduced labour costs, it features versatile mounting options to accommodate a wide range of configurations.



Fit-For-Purpose:

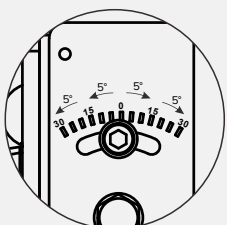
- Sport Fields
- Outdoor Lighting
- Security Lighting
- High Mast Lighting
- Airport Lighting
- Construction Sites
- Harbour Lighting

ROTATABLE
MODULE

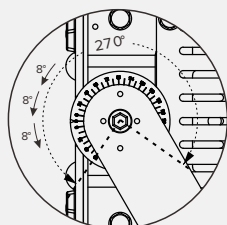
PROFESSIONAL
OPTICS

FOLDING ALUMINIUM FIN
DESIGN

EASY INSTALLATION
BRACKET

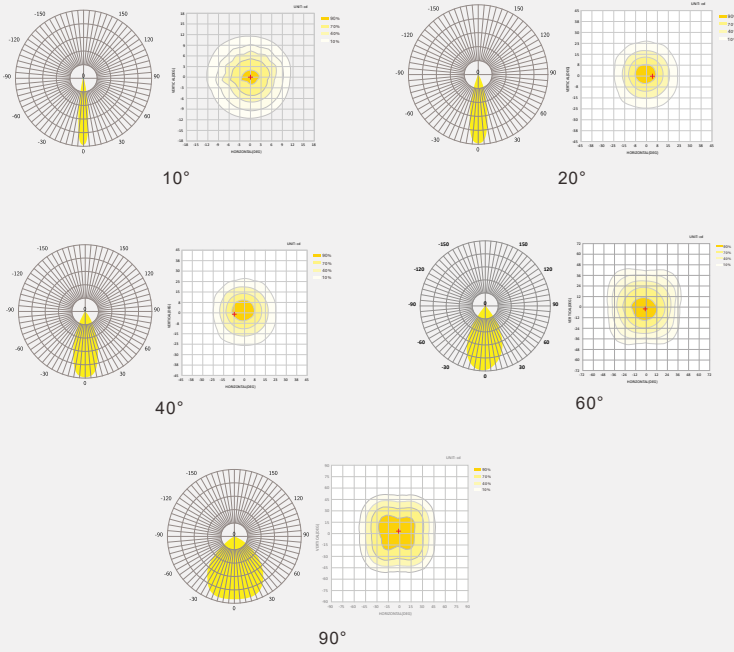


Module Rotatable $\pm 30^\circ$

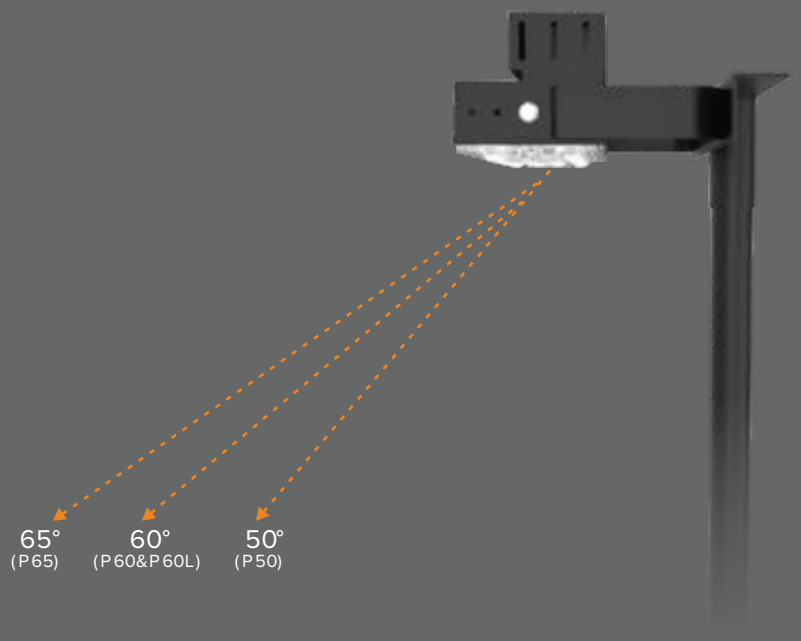
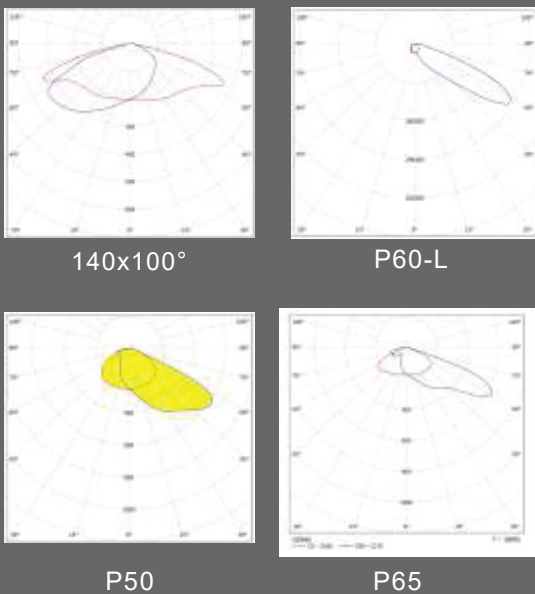


Rotatable 270°

Symmetrical



Asymmetrical





FEATURE	FLED2100	FLED2200	FLED2300	FLED2400	FLED2600	FLED51000	FLED51200	FLED51440
NOMINAL POWER	100 Watts	200 Watts	300 Watts	400 Watts	600 Watts	1000 Watts	1200 Watts	1440 Watts
LUMINOUS FLUX (LM)	UP TO 16,000	UP TO 35,000	UP TO 52,500	UP TO 70,000	UP TO 105,000	UP TO 170,000	UP TO 204,000	UP TO 244,800
LUMINOUS EFFECIENCY (LM/W)	UP TO 160	UP TO 175	UP TO 175	UP TO 175	UP TO 175	UP TO 170	UP TO 170	UP TO 170
EFF. (LM/W) ASYMMETRICAL - P50	UP TO 155	UP TO 167	UP TO 167	UP TO 167	UP TO 167	UP TO 167	UP TO 167	UP TO 162
EFF. (LM/W) ASYMMETRICAL - P60-L	-	UP TO 142	UP TO 142	UP TO 142	UP TO 142	UP TO 142	UP TO 140	UP TO 140
COLOUR TEMPERATURE	5000K (STANDARD) 3000K / 4000K / 5700K (OPTIONAL)							
LED LIFETIME (HOURS) @ TA 25 °C	L80B10 > 100 000 HRS							
CRI	>70							
DIFFUSER	POLYCARBONATE - IK10							
NOMINAL INPUT VOLTAGE	100V - 277V							
OPERATING TEMPERATURE	-45°C to 55°C							
SURGE PROTECTION	10kV (Standard) 20kV (Optional)							
IP RATING	IP66							
WEIGHT (KG)	2.2 KG	5.5 KG	7.5 KG	10.0 KG	12.5 KG	16.0 KG	20.0 KG	22.0 KG
DIMENSIONS L x W x H (MM)	297 x 132 x 263	334 x 143 x 332	334 x 143 x 472	334 x 143 x 612	589 x 188 x 484	589 x 188 x 632	589 x 188 x 780	589 x 188 x 928
OPTIONAL EXTRAS	10°, 20°, 40°, 60°, 90°, ASYMMETRIC (P50, P60-L)							

* Values shown are AFTER both Thermal and Optical losses. Output will vary depending on optics utilised. Performance values are subject to ±5% variance.

Product Code Logic

FLED	-	XXXX	-	X	X	X
FAMILY NAME		WATTAGE		CT	OPTICS	MOUNTING
		2100 = 100W		3 = 3000K	1 = 10°	1 = Standard HDG Trunnion Arm
		2200 = 200W		4 = 4000K	4 = 40°	B = Stainless Steel Trunnion Arm
		2300 = 300W		5 = 5000K	6 = 60°	
		2400 = 400W		6 = 5700K	9 = 90°	
		2600 = 600W				
		51000 = 1000W				
		51200 = 1200W				
		51440 = 1440W				

Related Products



Solar High Mast



MagFlood



SpectraLED
Photon



+27 11 614 4327



lighting@ilangalighting.co.za



www.ilangalighting.co.za



24 Julbert Road, Benrose,
Johannesburg, 2094

A LIGHTING SOLUTION FOR **EVERY** APPLICATION!

ILANGA LIGHTING DISTRIBUTION COMPANY (PTY) LTD - REG 2003/030689/07

B-BBEE
LEVEL **2**
CONTRIBUTOR

SABS
ISO 9001