

ZOD001-E27-BL

4-panel Outdoor Wall Lamp

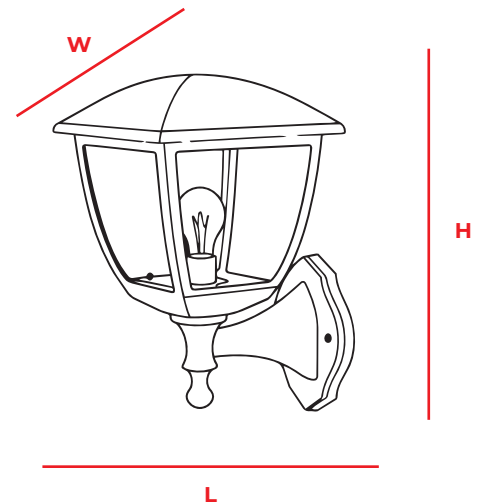
 **5 YEAR**
Warranty



This black 4-panel outdoor wall lamp is a popular option for property upgrades and new builds.

Its durable polycarbonate housing (PP/PC), E27 compatibility, and IP44 weather protection make it a reliable and easy-to-stock option for exterior lighting solutions.

Great for bulk orders and retail-ready ranges.



Product Code	ZOD001-E27-BL
Lamp	1x E27 (Not Included)
Class	II
Power Factor (PF)	0,9
Diffuser	Polycarbonate
Body	Polypropylene
Mounting	Wall Mount
Colour	Black
IP Rating	IP44
Product Size (L) x (W) x (H)	230mm x 190mm x 311mm
Product Weight	1kg