

# MAG55 LED



## Marine-Grade Aluminium Streetlight



**Modular.  
Accessible.  
Servicable.**

**40W - 100W**

6,569 lumens - 14,627 lumens

*Patent-Pending*

**Performance** without Compromise.  
**Serviceability** without Precedent.

The MAG55 LED Streetlight is a patent-pending industrial luminaire engineered for roadways where uptime, long service life and consistent performance are critical.

**Modular, Fully Serviceable Architecture**

The luminaire is engineered with a fully replaceable LED light engine as well as control gear (OEM-available), allowing critical components to be serviced or upgraded without compromising the integrity of the IP-rated optical and control gear compartments. This enables efficient maintenance, reduced downtime, and extended operational life.

**Maintained Optical and Environmental Performance**

By retaining the sealed optical chamber and heat-sink assembly during servicing, the MAG55 maintains photometric performance, ingress protection, and thermal stability over the lifetime of the luminaire.

**Lifecycle and Circular-Economy Alignment**

The modular design supports component-level replacement and upgrade, reducing unnecessary luminaire disposal and supporting circular-economy principles in line with current and emerging European sustainability and circular-design requirements.

**Smart-Ready and Upgradeable**

The MAG55 is fully D4i and Zhaga Book 18 ready, enabling integration with smart controls, monitoring, and future digital upgrades. Configuration options are available to suit specific site and application requirements.

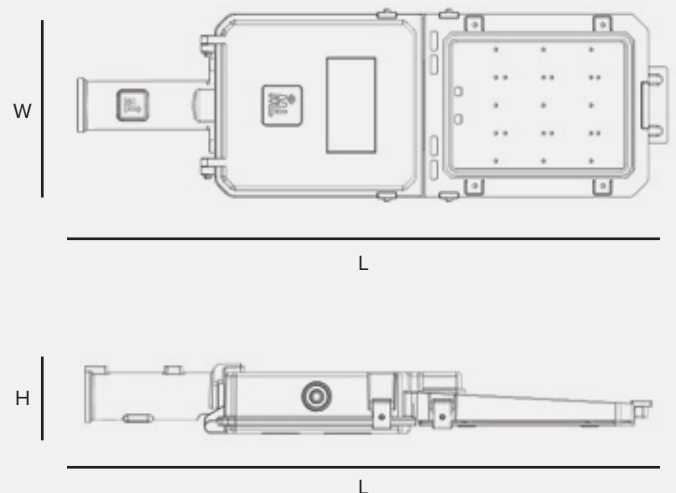


**Patent-Pending Innovation.**  
**Swap Parts, Not Fixtures.**



**Fit-For-Purpose:**

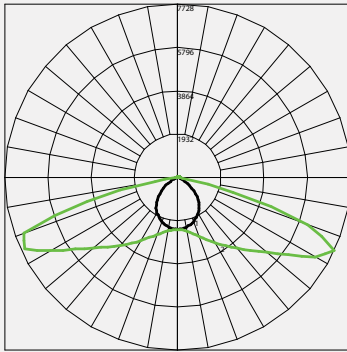
- Street Lighting - Class A & B
- Outdoor Lighting
- Security Lighting
- General Amenity
- Parking Areas



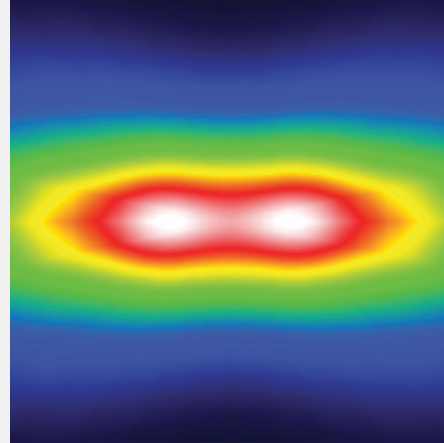
Description	Length (L)	Width (W)	Height (H)
MAG55 LED Streetlight	625mm	200mm	75mm

### Type T1

IES ROAD REPORT  
PHOTOMETRIC FILENAME: MAG55 80W HE T1.IES  
POLAR GRAPH

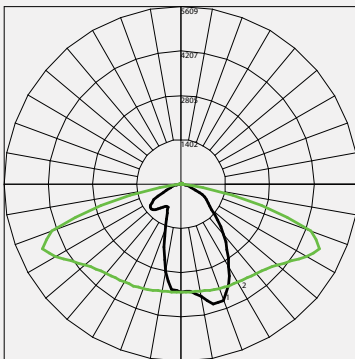


Maximum Candela = 7728 Located At Horizontal Angle = 90, Vertical Angle = 65  
# 1 - Vertical Plane Through Horizontal Angles (0 - 180)  
# 2 - Vertical Plane Through Horizontal Angles (90 - 270)

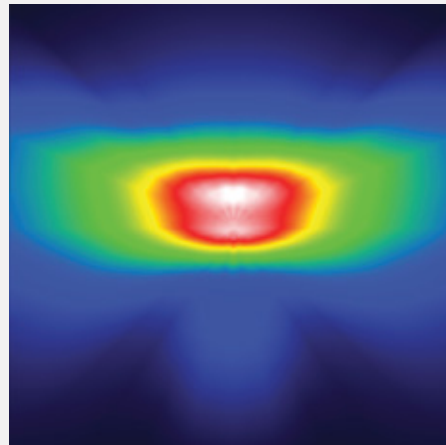


### Type T2-M

IES ROAD REPORT  
PHOTOMETRIC FILENAME: MAG55 80W HE T2M.IES  
POLAR GRAPH

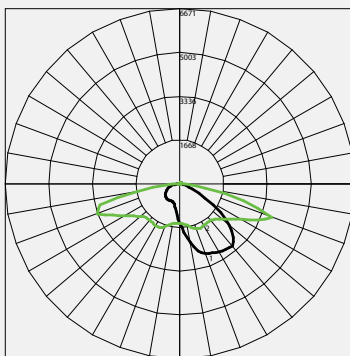


Maximum Candela = 5609 Located At Horizontal Angle = 292.5, Vertical Angle = 65  
# 1 - Vertical Plane Through Horizontal Angles (0 - 180)  
# 2 - Vertical Plane Through Horizontal Angles (90 - 270)

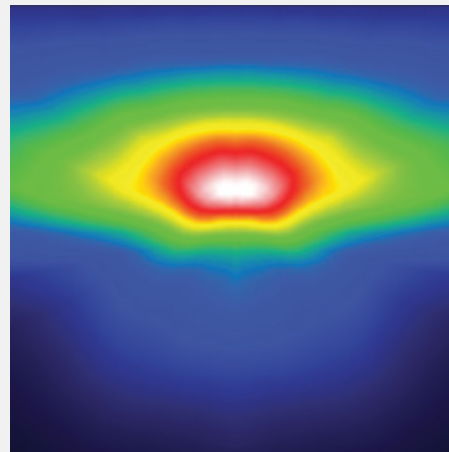


### Type SCL

IES ROAD REPORT  
PHOTOMETRIC FILENAME: MAG55 80W HE SCL.IES  
POLAR GRAPH



Maximum Candela = 6671 Located At Horizontal Angle = 282.5, Vertical Angle = 70  
# 1 - Vertical Plane Through Horizontal Angles (0 - 180)  
# 2 - Vertical Plane Through Horizontal Angles (90 - 270)



\*Other light distributions available on request

FEATURE	MAG55 LED STREETLIGHT						
NOMINAL POWER	40W	50W	60W	70W	80W	90W	100W
LUMINAIRE LUMENS (LM)	UP TO 6,569	UP TO 8,150	UP TO 9,595	UP TO 10,845	UP TO 12,094	UP TO 13,361	UP TO 14,627
LUMINAIRE EFFICIENCY (LM/W)	UP TO 166	UP TO 163	UP TO 161	UP TO 155	UP TO 153	UP TO 148	UP TO 145
COLOUR TEMPERATURE	4000K (STANDARD)   2200K / 3000K / 5000K / 6500K (OPTIONAL)						
LED LIFETIME (HOURS) @ TA 25°C	L90B10 > 100 000 HRS						
CRI	>70 (STANDARD)   >80 / >90 (OPTIONAL)						
DIFFUSER	IK08 (STANDARD)						
NOMINAL INPUT VOLTAGE	220V-240V (STANDARD)   90V-305V (OPTIONAL)						
OPERATING TEMPERATURE	-40°C to 55°C						
SURGE PROTECTION	10kV (STANDARD) 20kV (OPTIONAL)						
IP RATING	IP66						
GROSS WEIGHT	3,82KG						

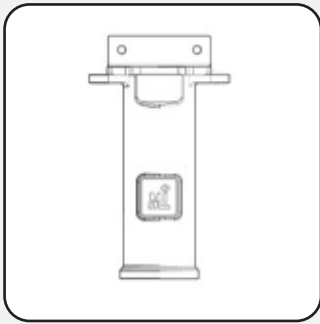
\* Values shown are AFTER both Thermal and Optical losses. Output will vary depending on optics utilised. Performance values are subject to ±5% variance.

## Product Code Logic

MAG55	-	XXX	-	X	X	X	-	X	X
FAMILY NAME		WATTAGE		CT	OPTICS	MOUNTING		OPERATIONAL MODE	ZONE RATING
		040 = 40W		2 = 2200K	0 = No Optics	1 = Side Entry Streetlight Spigot Mounting (42mm)		0 = Standard	0 = Standard
		050 = 50W		3 = 3000K	1 = T1	2 = Side Entry Streetlight Spigot Mounting (60mm)			
		060 = 60W		4 = 4000K	2 = T2-M	3 = Bottom Entry Streetlight Spigot Mounting for 76mm Pole			
		070 = 70W		5 = 5000K	3 = SCL				
		080 = 80W		6 = 6500K					
		090 = 90W							
		100 = 100W							

Due to continuing R&D, the above data may change without prior notice. Please consult us for the latest available options. Warranties subject to our standard terms and conditions of sale.

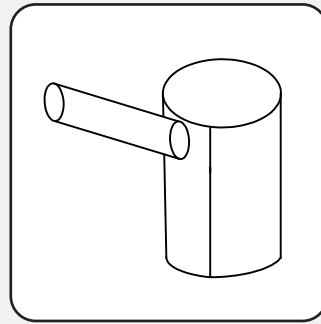
# Accessories



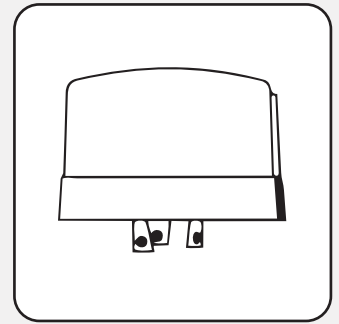
42mm OD  
Spigot



60mm OD  
Spigot



Bottom Entry  
Spigot (76mm pole)



Nema Socket

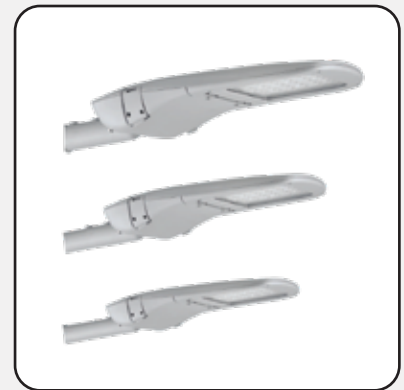
# Related Products



iLANGALED



iLANGALED  
MAXI



SPECTRALED FP



+27 11 614 4327



[lighting@ilangalighting.co.za](mailto:lighting@ilangalighting.co.za)



[www.ilangalighting.co.za](http://www.ilangalighting.co.za)



24 Julbert Road, Benrose,  
Johannesburg, 2094



ilanga  
LIGHTING

A LIGHTING SOLUTION FOR **EVERY** APPLICATION!

ILANGA LIGHTING DISTRIBUTION COMPANY (PTY) LTD - REG 2003/030689/07

**B-BBEE**  
LEVEL **2**  
CONTRIBUTOR

**SABS**  
ISO 9001