

# PASS0521

Round Path Lights

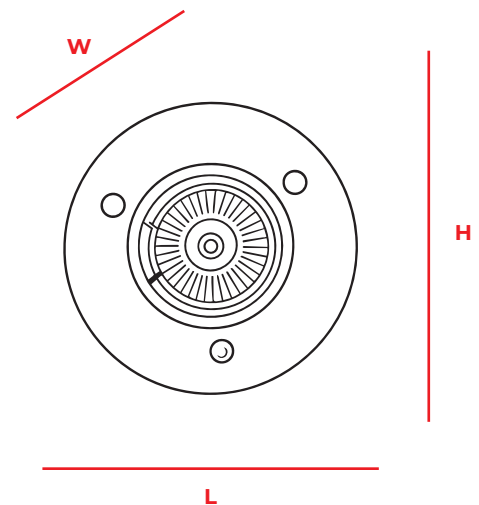
 **5 YEAR**  
Warranty



The PASS0521 is a decorative recessed ground light ideal for outdoor pathways, driveways, and landscape features.

Its stainless steel body and tempered glass lens ensure both durability and visual appeal in external environments.

Perfect for commercial and residential projects seeking subtle yet reliable ground-level lighting.



Product Code	PASS0521
Lamp	1x GU10 LED (Not Included)
Class	II
Diffuser	Tempered Glass
Body	304 Stainless Steel
Mounting	Recessed Ground Mount
Colour	Stainless Steel
IP Rating	IP65
Product Size (L) x (W) x (H)	85mm x 85mm x 137mm