

# MAGFLOOD



## Die-Cast Aluminium Floodlight



200W	300W	400W	600W
27,940 lumens	37,451 lumens	55,880 lumens	74,902 lumens

## Hello Performance!

Engineered for high reliability and superb photometric performance, the MagFlood excels in harsh industrial environments.

Featuring specialised asymmetric optics to eliminate uplight, a custom fin design for optimal heat dissipation, and premium components for long life. Also available with stainless steel bracketry and driver housing for use in highly corrosive areas.

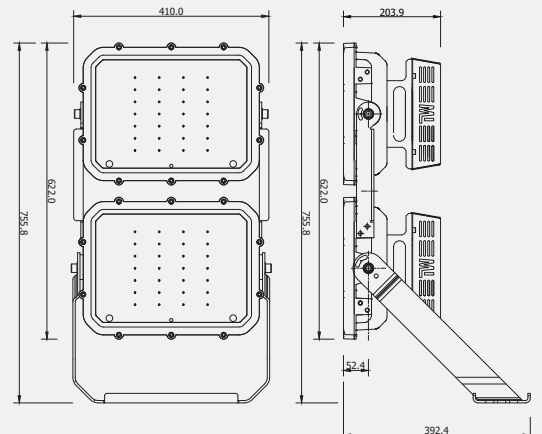
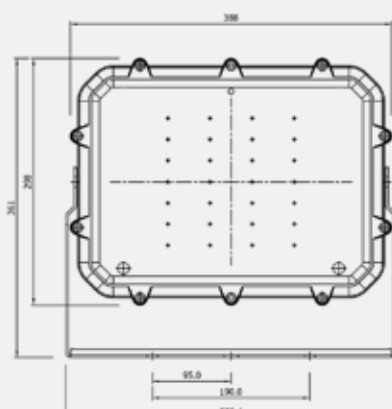
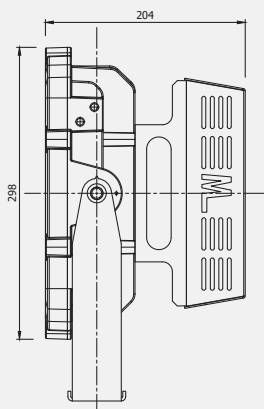


## Fit-For-Purpose:

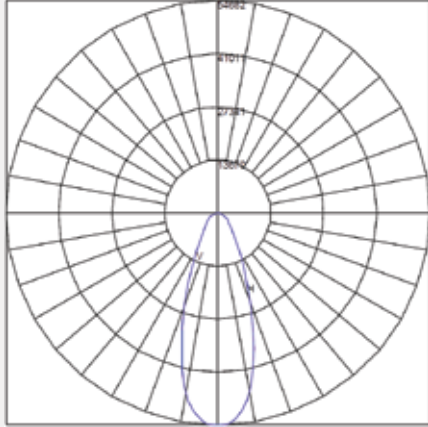
- Industrial Lighting
- Outdoor Lighting
- Security Lighting
- Area Lighting
- Dusty & Dirty Environments



Description	Width	Height	Depth
MAGFLOOD (Single)	400mm	361mm	204mm
MAGFLOOD (Double)	410mm	756mm	204mm

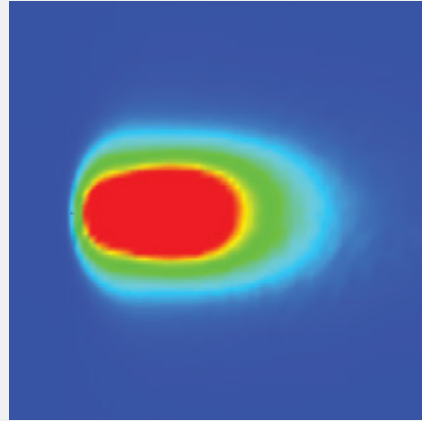


IES ROAD REPORT  
 PHOTOMETRIC FILENAME : MAGFLOOD 300W C14607-30 DEG.IES  
 AXIAL CANDELA DISPLAY

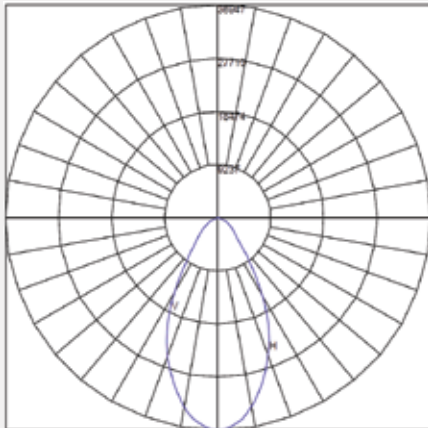


Maximum Candela = 54681.57 Located At Horizontal Angle = 0, Vertical Angle = 0  
 H - Horizontal Axial Candela  
 V - Vertical Axial Candela

Typical Light Distribution  
 Hm = 10m | Tilt = 65°

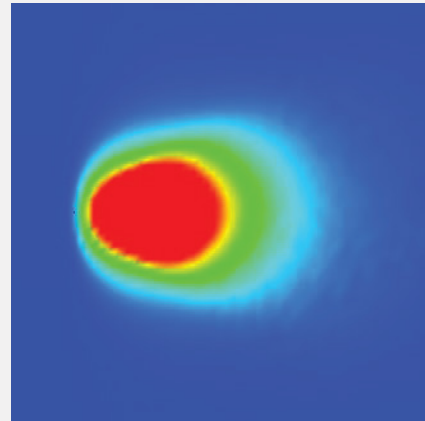


IES ROAD REPORT  
 PHOTOMETRIC FILENAME : MAGFLOOD 300W C12361-60 DEG.IES  
 AXIAL CANDELA DISPLAY

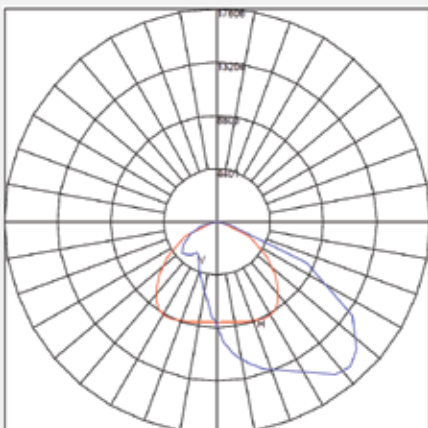


Maximum Candela = 36947.199 Located At Horizontal Angle = 0, Vertical Angle = 0  
 H - Horizontal Axial Candela  
 V - Vertical Axial Candela

Typical Light Distribution  
 Hm = 10m | Tilt = 65°

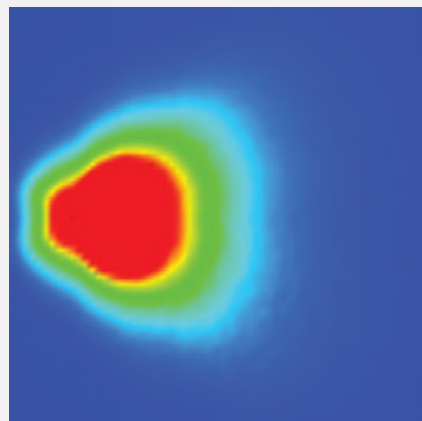


IES ROAD REPORT  
 PHOTOMETRIC FILENAME : MAGFLOOD 300W C13805-T4 .IES  
 AXIAL CANDELA DISPLAY



Maximum Candela = 17605.905 Located At Horizontal Angle = 15, Vertical Angle = 42.5  
 H - Horizontal Axial Candela  
 V - Vertical Axial Candela

Typical Light Distribution  
 Hm = 10m | Tilt = 25°



FEATURE	MFLDM0200	MFLDM0300	MFLDM0400	MFLDM0600
NOMINAL POWER	200 Watts	300 Watts	400 Watts	600 Watts
LUMINOUS FLUX (LM)	UP TO 27,940	UP TO 37,451	UP TO 55,880	UP TO 74,902
LUMINOUS EFFECIENCY (LM/W)	UP TO 174	UP TO 163	UP TO 174	UP TO 163
NUMBER OF LEDS	64	64	128	128
COLOR TEMPERATURE	4000K (STANDARD)   2200K / 3000K / 5000K / 6500K (OPTIONAL)			
LED LIFETIME (HOURS) @ TA 25 °C	L90B10 > 100 000 HRS			
CRI	>70			
DIFFUSER	Glass - IK08 (Standard)   Polycarbonate - IK10 (Optional)			
NOMINAL INPUT VOLTAGE	220V-240V (STANDARD)   90V-305V (OPTIONAL)			
OPERATING TEMPERATURE	-40°C to 55°C			
SURGE PROTECTION	10kV (Standard) 20kV (Optional)			
IP RATING	IP66			
WEIGHT (BOX)	10.8KG		22KG	

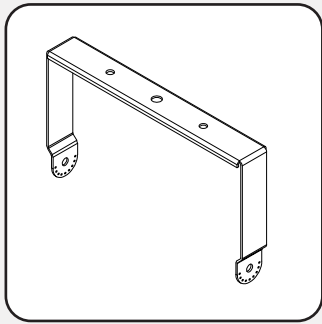
\* Values shown are AFTER both Thermal and Optical losses. Output will vary depending on optics utilised. Performance values are subject to ±5% variance.

## Product Code Logic

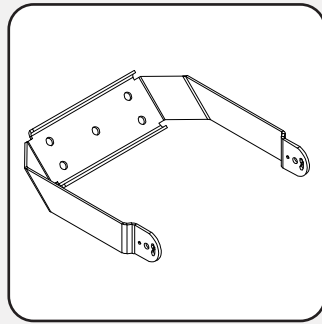
MFLD	-	XXXXX	-	X	X	X	-	X
FAMILY NAME		WATTAGE		CT	OPTICS	MOUNTING		ACCESSORIES
		00200 = 200W		2 = 2200K	0 = No Optics (120°)	2 = HDG Trunion Arm (Standard)		0 = Stud & Nut
		00300 = 300W		3 = 3000K	1 = 30°	8 = 316 S/S Trunion Arm & Driver Box		1 = S/S Wire Guard
		00400 = 400W		4 = 4000K	2 = 60°			
		00600 = 600W		5 = 5000K	3 = 90°			
				6 = 6500K	4 = T4 Asym			
					5 = FT Asym			

Due to continuing R&D, the above data may change without prior notice. Please consult us for the latest available options. Warranties subject to our standard terms and conditions of sale.

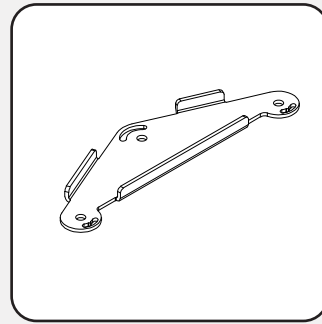
# Accessories



HDG Trunion  
Arm



Extended HDG  
Trunion Arm



Double HDG  
Extension

# Related Products



MAGIS



SPECTRALED  
GEN II



MAGIS MINI



+27 11 614 4327



[lighting@ilangalighting.co.za](mailto:lighting@ilangalighting.co.za)



[www.ilangalighting.co.za](http://www.ilangalighting.co.za)



24 Julbert Road, Benrose,  
Johannesburg, 2094



ilanga  
LIGHTING

A LIGHTING SOLUTION FOR **EVERY** APPLICATION!

ILANGA LIGHTING DISTRIBUTION COMPANY (PTY) LTD - REG 2003/030689/07

**B-BBEE**  
LEVEL **2**  
CONTRIBUTOR

**SABS**  
ISO 9001