

# MAGLED GEN II



## Marine-Grade Aluminium Bulkhead



**60W**

9,736  
lumens

**80W**

12,476  
lumens

**100W**

15,039  
lumens

**115W**

17,579  
lumens

## Reliability & Performance!

The MAGLED Gen II delivers exceptional reliability and superb photometric performance, engineered for demanding industrial environments. Its slim, robust design minimises dirt and dust build-up, making it ideal for long-term use in both general industrial settings and hazardous areas (Zone 2 & 21/22).

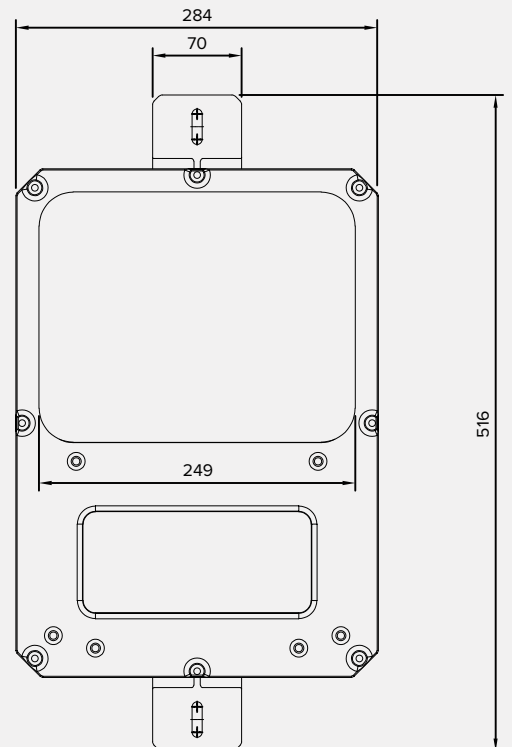
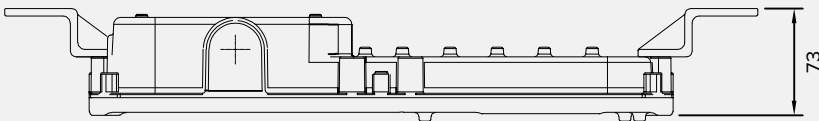


## Fit-For-Purpose:

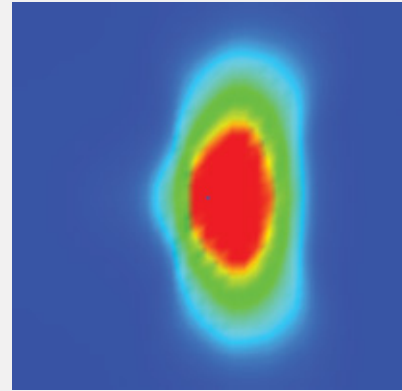
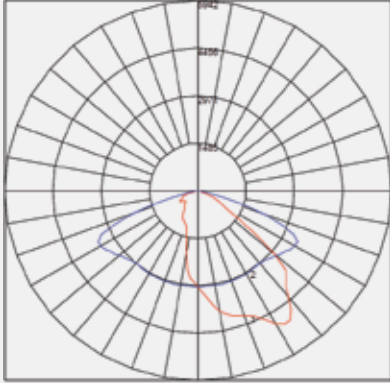
- Industrial Lighting
- Outdoor Lighting
- Security Lighting
- Conveyors
- Dusty & Dirty Environments
- Tunnel Lighting
- Zone 2 & 21/22  
(Zone 2: Max 80w  
Zone 21/22: Max 115w)
- Plant Lighting



Description	Length (L)	Width (W)	Height (H)
MAGLED GEN II	516mm	284mm	73mm

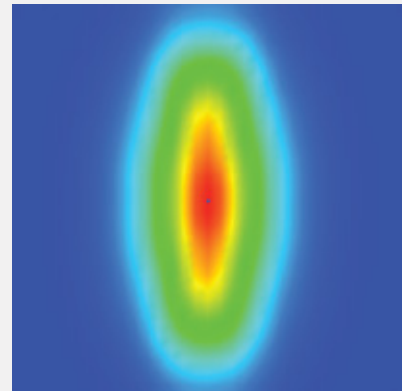
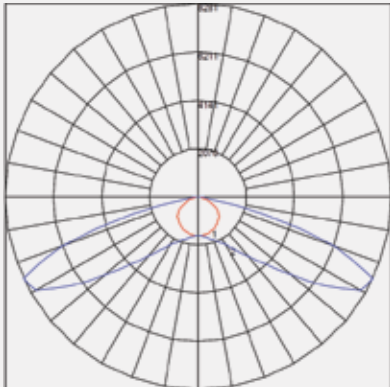


IES ROAD REPORT  
 PHOTOMETRIC FILENAME : MAGLED GEN II ME OPTICS.IES  
 POLAR GRAPH



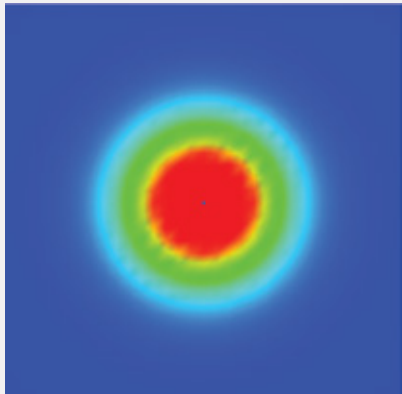
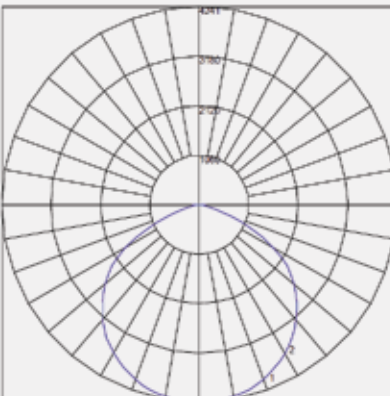
Maximum Candela = 5941734 Located At Horizontal Angle = 292.5, Vertical Angle = 55  
 #1 - Vertical Plane Through Horizontal Angles (0-180)  
 #2 - Vertical Plane Through Horizontal Angles (90-270)

IES ROAD REPORT  
 PHOTOMETRIC FILENAME : MAGLED GEN II T1 OPTICS.IES  
 POLAR GRAPH



Maximum Candela = 8281214 Located At Horizontal Angle = 270, Vertical Angle = 65  
 #1 - Vertical Plane Through Horizontal Angles (0-180)  
 #2 - Vertical Plane Through Horizontal Angles (90-270)

IES ROAD REPORT  
 PHOTOMETRIC FILENAME : MAGLED GEN II GENERAL FLOODLIGHT .IES  
 POLAR GRAPH



Maximum Candela = 4240.566 Located At Horizontal Angle = 360, Vertical Angle = 0  
 #1 - Vertical Plane Through Horizontal Angles (0-180)  
 #2 - Vertical Plane Through Horizontal Angles (90-270)

\*Other photometric distributions available on request

FEATURE	MLED060	MLED080	MLED100	MLED115
NOMINAL POWER	60W	80W	100W	115W
LUMINOUS FLUX (LM)	UP TO 9,736	UP TO 12,476	UP TO 15,039	UP TO 17,579
LUMINOUS EFFECIENCY (LM/W)	UP TO 161	UP TO 156	UP TO 152	UP TO 145
NUMBER OF LEDS	24	24	24	24
COLOUR TEMPERATURE	4000K (STANDARD)   2200K / 3000K / 5000K / 6500K (OPTIONAL)			
LED LIFETIME (HOURS) @ Ta 25 °C	L90B10 > 100 000 HRS			
CRI	>70			
DIFFUSER	GLASS - IK08 (STANDARD)   POLYCARBONATE - IK09/10 (OPTIONAL)			
NOMINAL INPUT VOLTAGE	220V-240V (STANDARD)   90V-305V (OPTIONAL)			
OPERATING TEMPERATURE (Ta)	-40°C to 55°C			
SURGE PROTECTION	10kV (STANDARD)   20kV (OPTIONAL)			
IP RATING	IP66			
GROSS WEIGHT	5KG			

\* Values shown are AFTER both Thermal and Optical losses. Output will vary depending on optics utilised. Performance values are subject to ±5% variance.

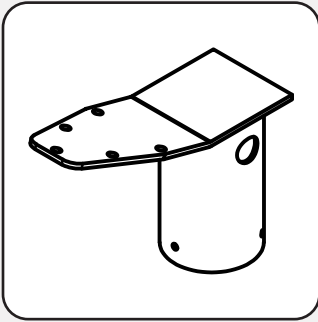
## Emergency Options

FEATURE	MLED060	MLED080	MLED100	MLED115
OUTPUT POWER	5W (STANDARD)   20W / 40W (OPTIONAL)			
EMERGENCY DURATION	>1 HR (Max Ta 40°C)			

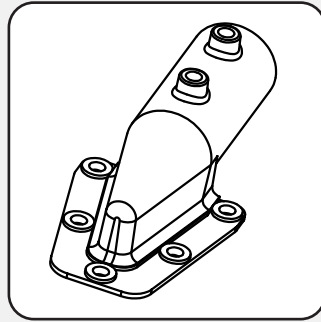
## Product Code Logic

MLED	-	XXX	-	X	X	X	-	X	X
FAMILY NAME		WATTAGE		CT	OPTICS	MOUNTING		OPERATING MODE	ZONE RATING
		060 = 60W		2 = 2200K	0 = No Optics	1 = Complete (Lugs Fitted)		0 = Standard	0 = Standard
		080 = 80W		3 = 3000K	1 = T1	2 = Floodlight Bracket (HDG)		E = Emergency Maintained	2 = Zone 2
		100 = 100W		4 = 4000K	2 = ME	3 = Floodlight Bracket (S/S)		N = Emergency Non-Maintained	3 = Zone 21/22
		115 = 115W		5 = 5000K	3 = FT	4 = Streetlight Spigot			
				6 = 6500K	4 = T2				
					5 = T4				
					6 = ME WIDE				

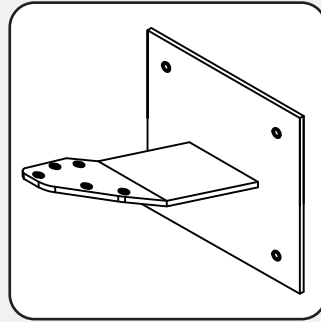
# Accessories



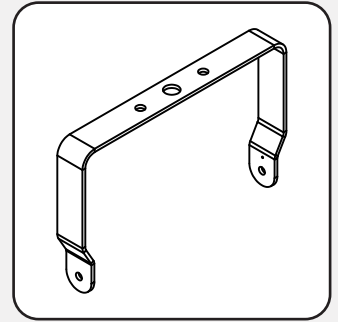
76mm OD  
Pole Mount



42mm OD  
Pole Mount



Wall Mount



Floodlight  
Bracket

# Related Products



MAGLED MINI



MAG40 LED



MAG44 LED



+27 11 614 4327



[lighting@ilangalighting.co.za](mailto:lighting@ilangalighting.co.za)



[www.ilangalighting.co.za](http://www.ilangalighting.co.za)



24 Julbert Road, Benrose,  
Johannesburg, 2094



ilanga  
LIGHTING

A LIGHTING SOLUTION FOR **EVERY** APPLICATION!

ILANGA LIGHTING DISTRIBUTION COMPANY (PTY) LTD - REG 2003/030689/07

**B-BBEE**  
LEVEL **2**  
CONTRIBUTOR

**SABS**  
ISO 9001