

MAGLED MINI



Marine-Grade Aluminium Bulkhead



20W

3,275
lumens

30W

4,728
lumens

40W

5,936
lumens

50W

7,374
lumens

Performance & Reliability!

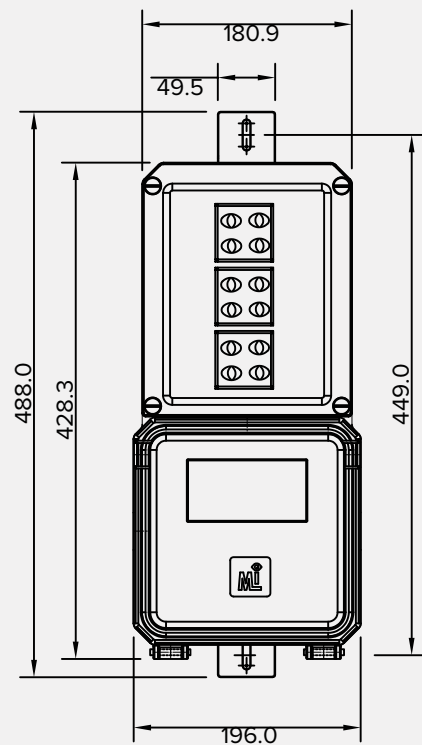
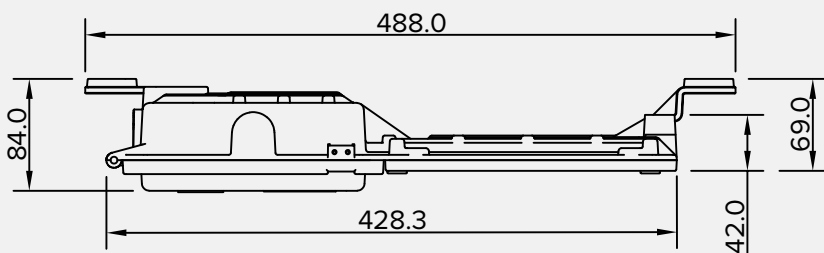
The MAGLED MINI combines high reliability with excellent photometric performance in a compact, durable form. Its slim, robust design resists dirt and dust build-up, making it ideal for industrial environments, including Zone 2 & 21/22 hazardous areas.



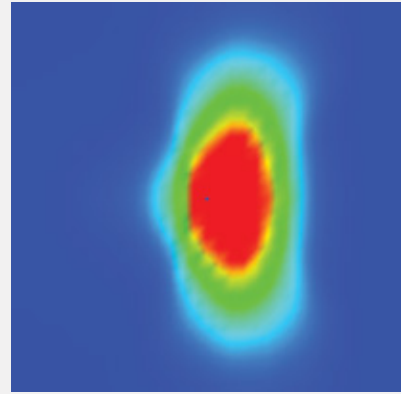
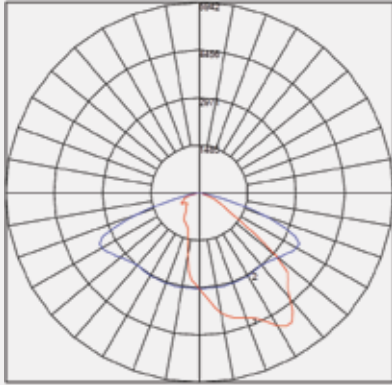
Fit-For-Purpose:

- Industrial Lighting
- Outdoor Lighting
- Security Lighting
- Conveyors
- Dusty & Dirty Environments
- Tunnel Lighting
- Zone 2 & 21/22
- Plant Lighting

Description	Length (L)	Width (W)	Height (H)
MAGLED MINI	488mm	196mm	84mm

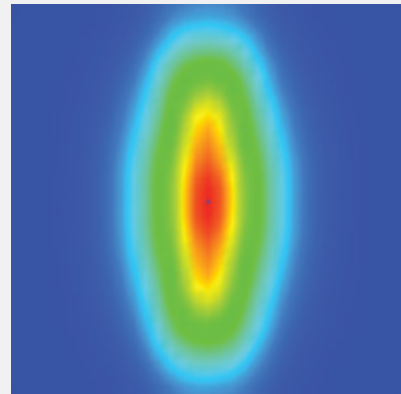
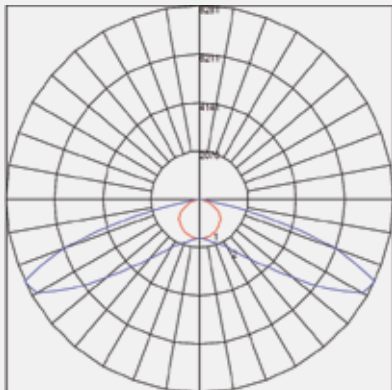


IES ROAD REPORT
PHOTOMETRIC FILENAME : MAGLED MINI ME OPTICS.IES
POLAR GRAPH



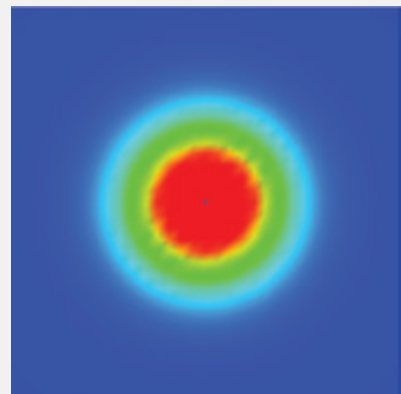
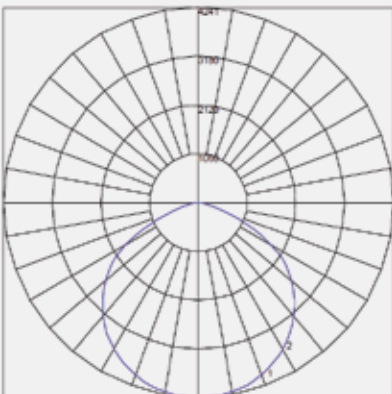
Maximum Candela = 5941.734 Located At Horizontal Angle = 292.5, Vertical Angle = 55
#1 - Vertical Plane Through Horizontal Angles (0-180)
#2 - Vertical Plane Through Horizontal Angles (90-270)

IES ROAD REPORT
PHOTOMETRIC FILENAME : MAGLED MINI T1 OPTICS.IES
POLAR GRAPH



Maximum Candela = 8281.214 Located At Horizontal Angle = 270, Vertical Angle = 65
#1 - Vertical Plane Through Horizontal Angles (0-180)
#2 - Vertical Plane Through Horizontal Angles (90-270)

IES ROAD REPORT
PHOTOMETRIC FILENAME : MAGLED MINI GENERAL OPTICS .IES
POLAR GRAPH



Maximum Candela = 4240.566 Located At Horizontal Angle = 360, Vertical Angle = 0
#1 - Vertical Plane Through Horizontal Angles (0-180)
#2 - Vertical Plane Through Horizontal Angles (90-270)

*Other photometric distributions available on request

FEATURE	MLEDM020	MLEDM030	MLEDM040	MLEDM050
NOMINAL POWER	20W	30W	40W	50W
LUMINOUS FLUX (LM)	UP TO 3,275	UP TO 4,728	UP TO 5,936	UP TO 7,374
LUMINOUS EFFECIENCY (LM/W)	UP TO 157	UP TO 153	UP TO 144	UP TO 129
COLOUR TEMPERATURE	4000K (STANDARD) 2200K / 3000K / 5000K / 6500K (OPTIONAL)			
LED LIFETIME (HOURS) @ TA 25 °C	L90B10 > 100 000 HRS			
CRI	>70			
DIFFUSER	GLASS - IK08 (STANDARD) POLYCARBONATE - IK09/10 (OPTIONAL)			
NOMINAL INPUT VOLTAGE	220V-240V (STANDARD) 90V-305V (OPTIONAL)			
OPERATING TEMPERATURE (Ta)	-20°C to 60°C			
SURGE PROTECTION	10kV (Standard) 20kV (Optional)			
IP RATING	IP66			
GROSS WEIGHT	3.2KG			

* Values shown are AFTER both Thermal and Optical losses. Output will vary depending on optics utilised. Performance values are subject to ±5% variance.

Emergency Options

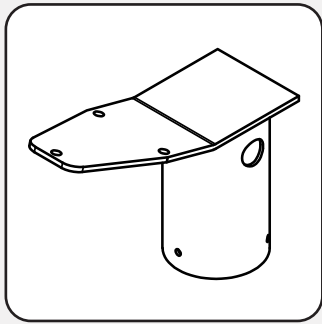
FEATURE	MLEDM020	MLEDM030	MLEDM040	MLEDM050
OUTPUT POWER	5 Watts			
EMERGENCY DURATION	> 1 HR (Max Ta 40°C)			

Product Code Logic

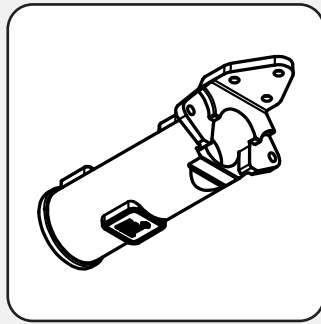
MLEDM	-	B	XXX	-	X	X	X	-	X	X
FAMILY NAME			WATTAGE		CT	OPTICS	MOUNTING		OPERATING MODE	ZONE RATING
			020 = 20W		2 = 2200K	0 = No Optics	1 = Complete (Lugs Fitted)		0 = Standard	0 = Standard
			030 = 30W		3 = 3000K	1 = T1	2 = Floodlight Bracket (HDG)		E = Emergency Maintained	2 = Zone 2
			040 = 40W		4 = 4000K	2 = ME	3 = Floodlight Bracket (S/S)		N = Emergency Non-Maintained	3 = Zone 21/22
			050 = 50W		5 = 5000K	3 = FT	4 = Streetlight Spigot			
					6 = 6500K	4 = T2				
						5 = T4				
						6 = ME WIDE				

* Zone rated luminaires are not available as emergency

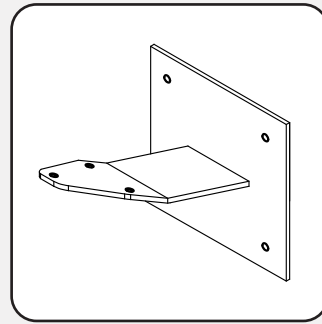
Accessories



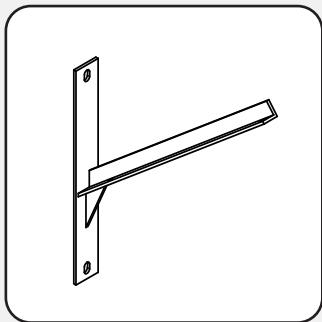
88mm OD
Pole Mount



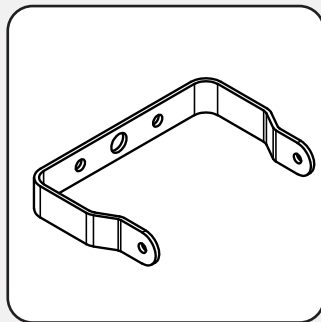
42mm OD
Spigot



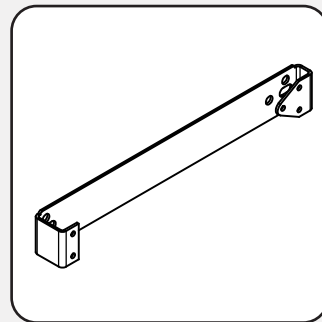
Wall Mount



Wall Mount



Floodlight
Bracket



Support
Bracket



+27 11 614 4327



lighting@ilangalighting.co.za



www.ilangalighting.co.za



24 Julbert Road, Benrose,
Johannesburg, 2094



ilanga
LIGHTING

A LIGHTING SOLUTION FOR **EVERY** APPLICATION!

ILANGA LIGHTING DISTRIBUTION COMPANY (PTY) LTD - REG 2003/030689/07

B-BBEE
LEVEL **2**
CONTRIBUTOR

SABS
ISO 9001